



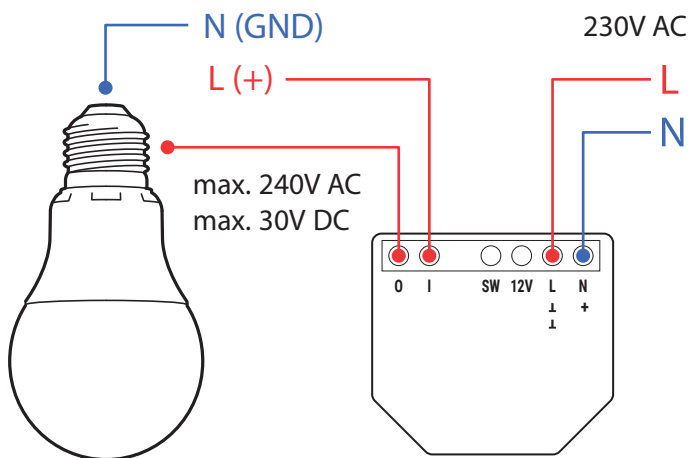
Smart on / off control for 12~48V DC or 230V AC lighting and electrical devices. Includes dry contact support where the inputs are separated from the outputs. Compatible with standard latching and momentary switches.

**IMPORTANT - This device must be installed by a licensed electrician**

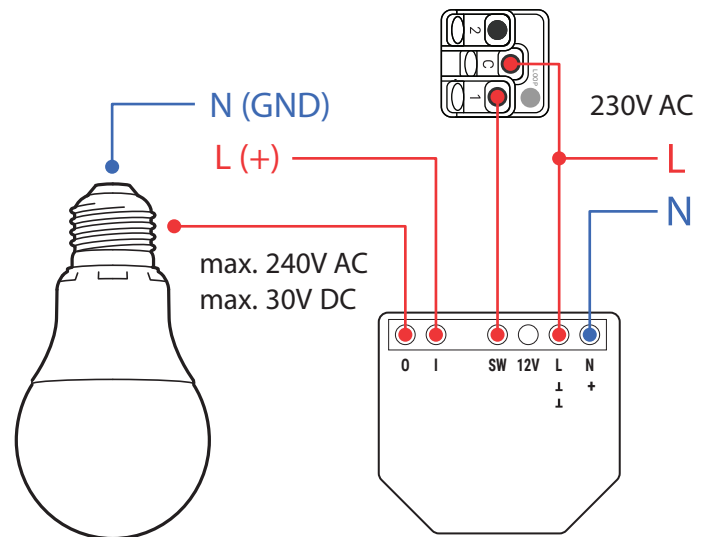
## Wiring Diagrams

It is important to note that the Shelly 1 Gen 3 is a dry contact module (voltage free) where the input (powering the device) is detached (isolated) from the output (connect to the load). Compatible with multi-way switching (see overleaf).

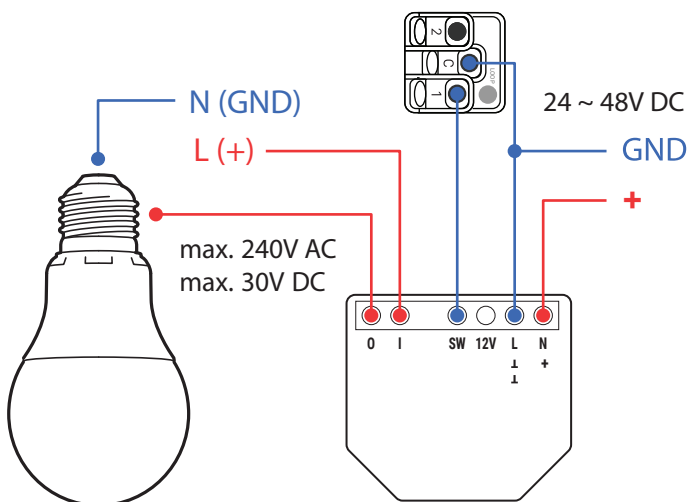
230V Power Supply (without switch)



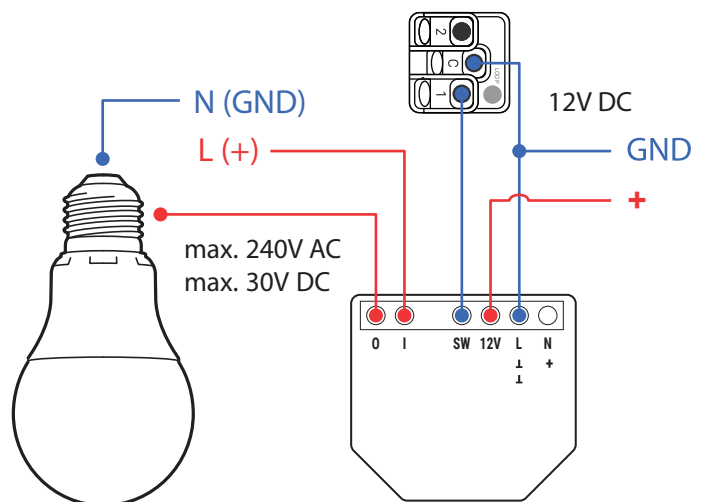
230V Power Supply



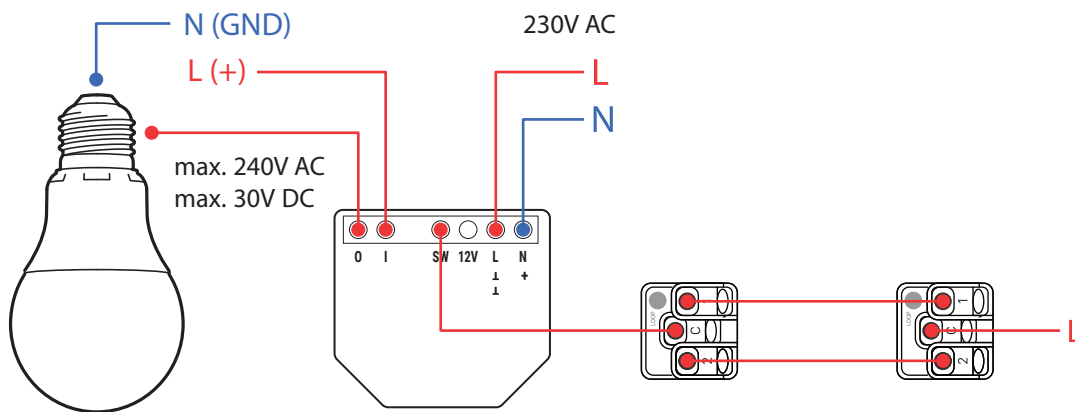
24 ~ 48V DC Power Supply



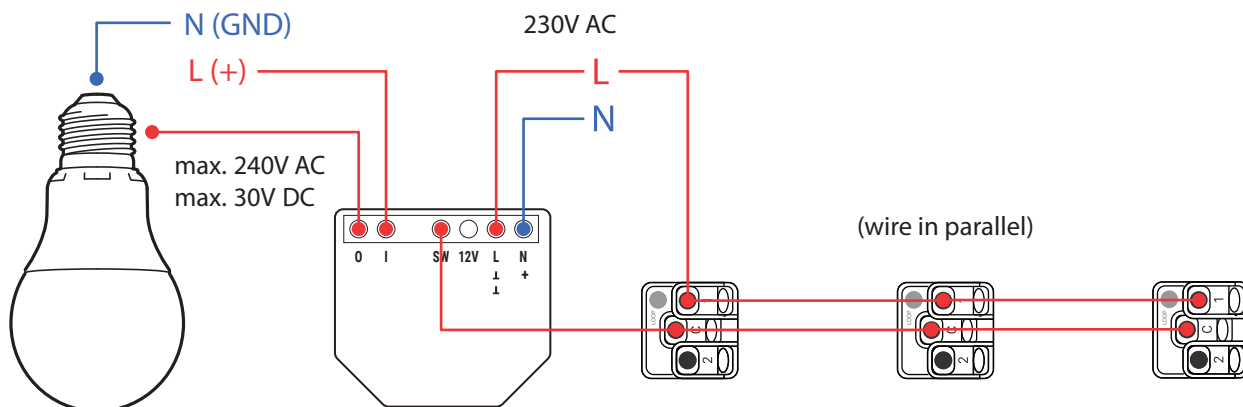
12V DC Stabilised Power Supply



### 2-Way Switching (Standard Latching Switches)

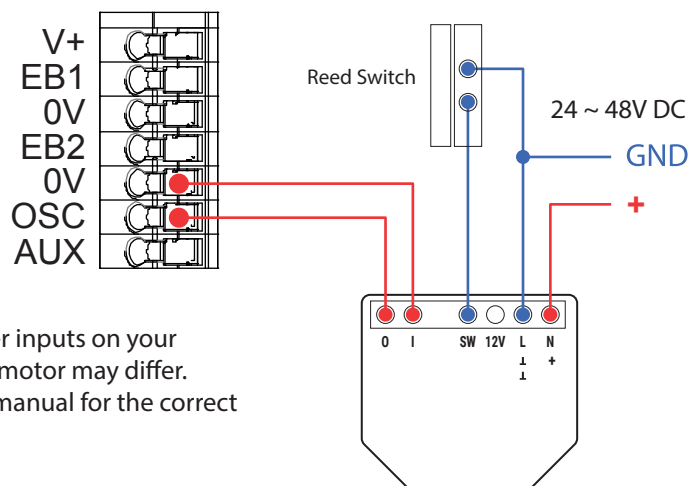


### 2 (or more) Way Switching (Momentary Switches)



Shelly App > Device > Settings > Input/output settings > Button > Set Shelly device to be "momentary"

### Garage Door / Gate Motor Wiring Example



Please note - Trigger inputs on your garage door / gate motor may differ. Please consult the manual for the correct trigger inputs.

Shelly App > Device > Settings > Input/output settings > Switch > "Detached" switch mode

Shelly App > Device > Application Settings > Input state display > Switch > Add input state identifier "on"

Shelly App > Device > Timer > Auto off > 2 seconds