



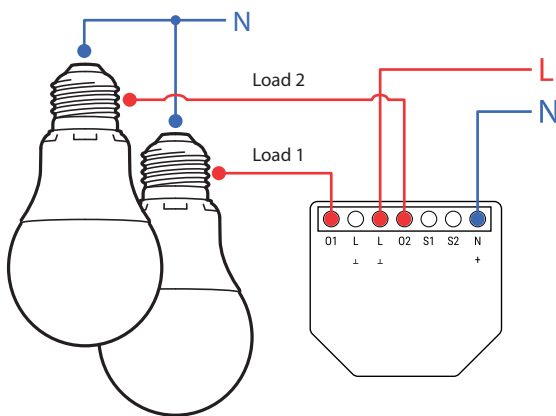
Smart on / off control of two independent 240V AC lighting or electrical devices. Can also be used as a motor controller for 240V AC “dumb motors”. Compatible with standard latching or momentary switches.

IMPORTANT - This device must be installed by a licensed electrician

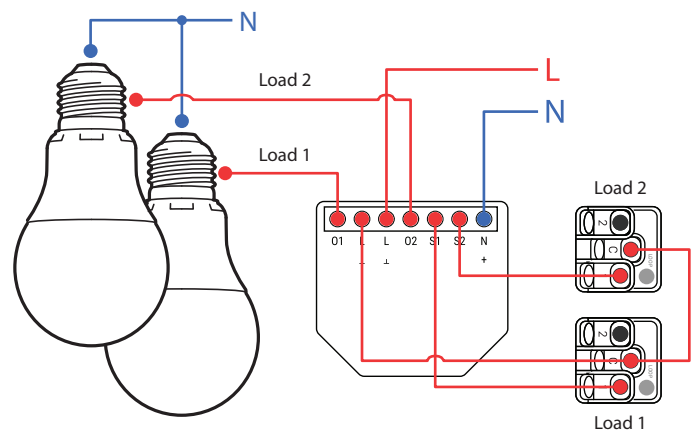
Wiring Diagrams

Includes power monitoring of the connected load(s). Compatible with multi-way switching (see overleaf).

2 x 240V Relay (without switches)



2 x Relay (with switches*)



*Compatible switch types

Standard Latching Switches

Shelly App > Device > Settings > Input/output Settings > Switch > Set Shelly device to be “Toggle” switch.

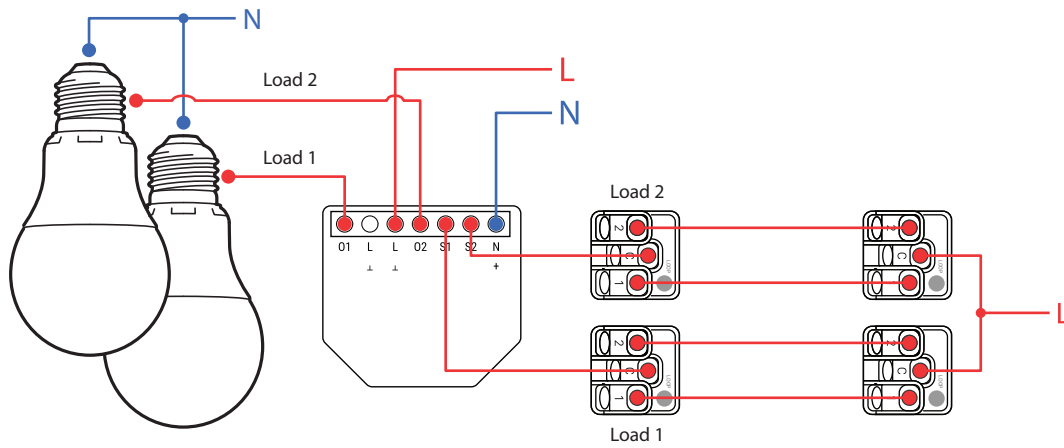
-or-

Shelly App > Device > Settings > Input/output Settings > Switch > Set Shelly device to be “Edge” switch.

Momentary Bell Press Switches

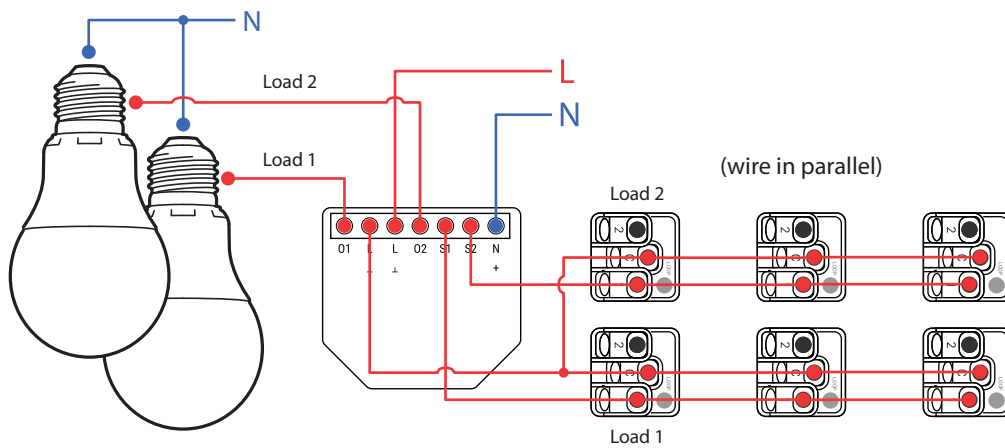
Shelly App > Device > Settings > Input/output Settings > Button > Set Shelly device to be “momentary”.

2 x 240V Relay - 2-Way Switching (Standard Latching Switches)



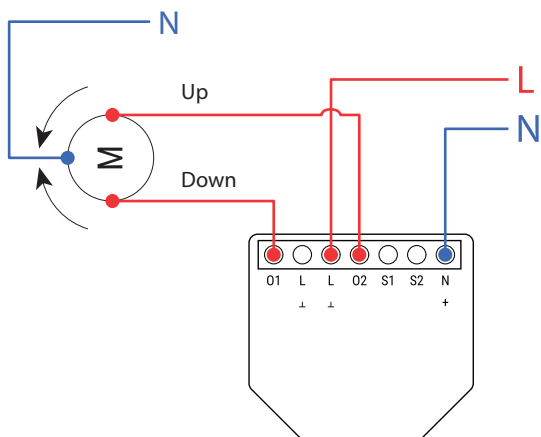
Shelly App > Device > Settings > Input/output Settings > Switch > Set Shelly device to be edge switch

2 x 240V Relay - Multi-Way Switching (Momentary Bell Press Switches)

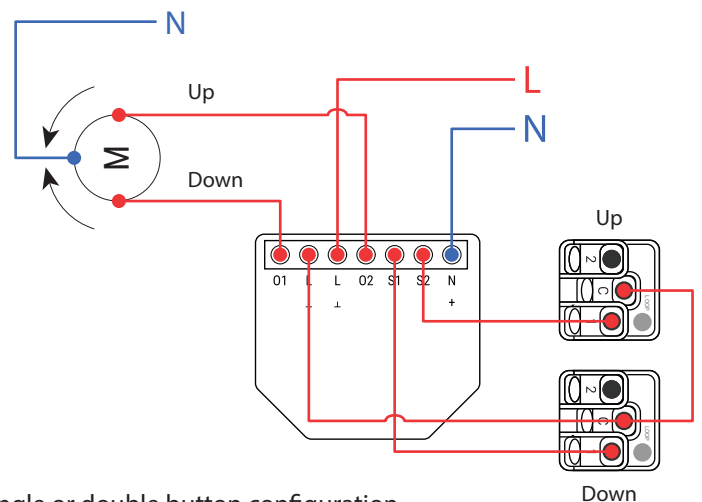


Shelly App > Device > Settings > Input/output Settings > Button > Set Shelly device to be "Momentary"

240V Motor Control (without switches)



240V Motor Control (with switches*)



*Can work with both latching and momentary switch types - and single or double button configuration. Please consult Shelly documentation for more information - including app settings to configure switch type.

Shelly App > Device > Settings > Device profile > Change from "Switch" to "Cover"

Shelly App > Device > Settings > Calibration > Start calibration