



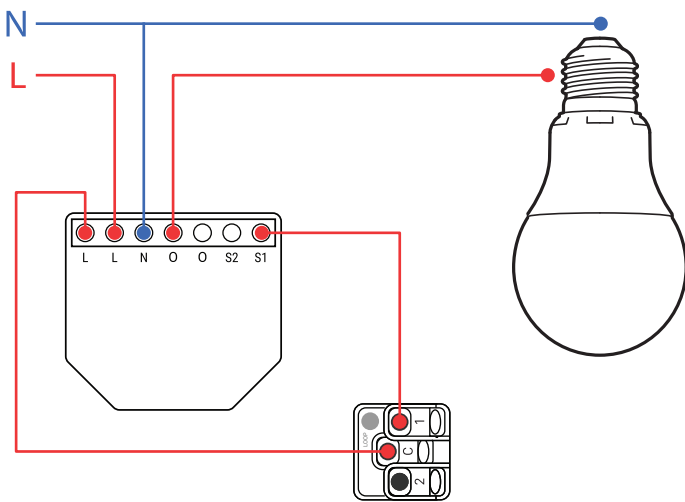
Smart dimming controller for control of dimmable lights and drivers (up to 200w). It can be used with or without a neutral wire (Bypass required) and is compatible with standard latching or momentary bell press switches.

**IMPORTANT - This device must be installed by a licensed electrician**

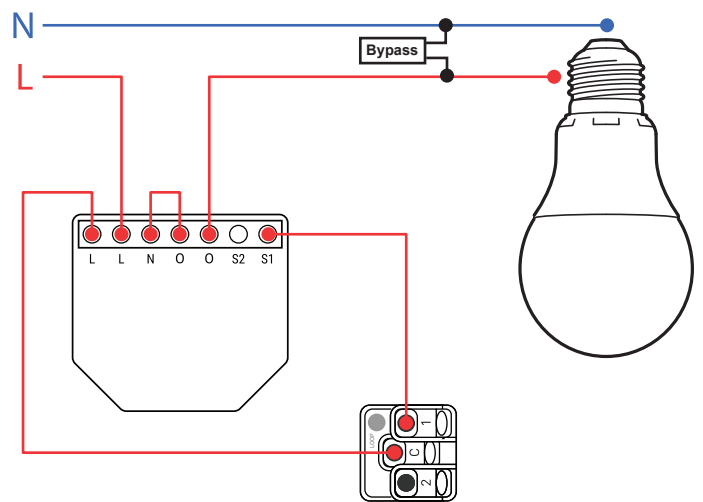
## Latching Switches

Shelly Dimmer Gen4 is compatible with standard on / off latching switches (including mechanical push buttons). In this case, only on / off control from the switch is possible (dim / brighten is still available via smart control). For manual dimming from the switch, you will need to use a "momentary bell press" switch mechanism (please see overleaf).

Latching Switch - With Neutral Wire

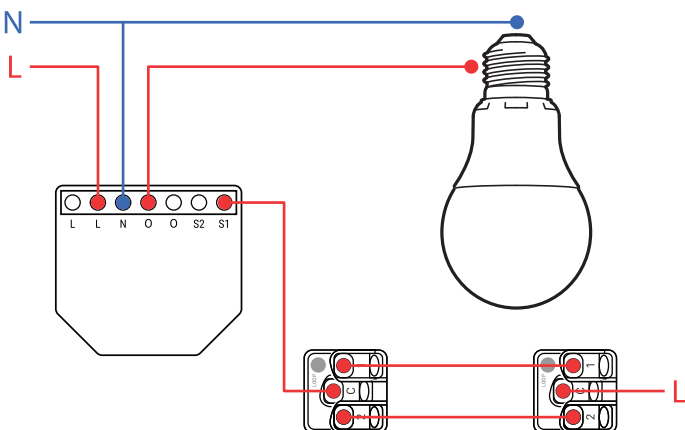


Latching Switch - Without Neutral Wire

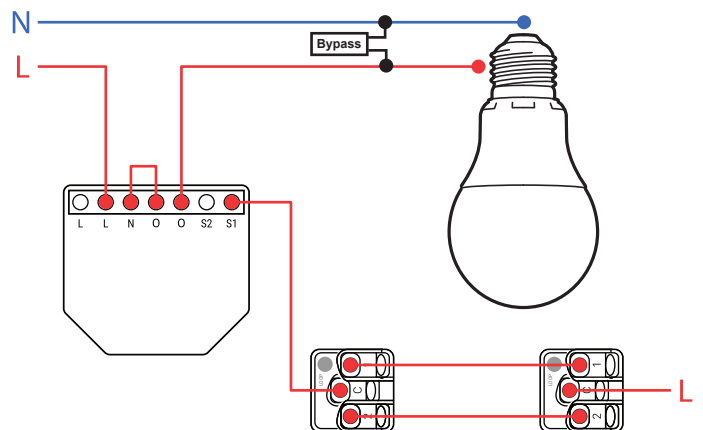


Shelly App > Device > Settings > Input/output settings > Switch > Toggle or Edge

Latching 2-Way Switch - With Neutral Wire

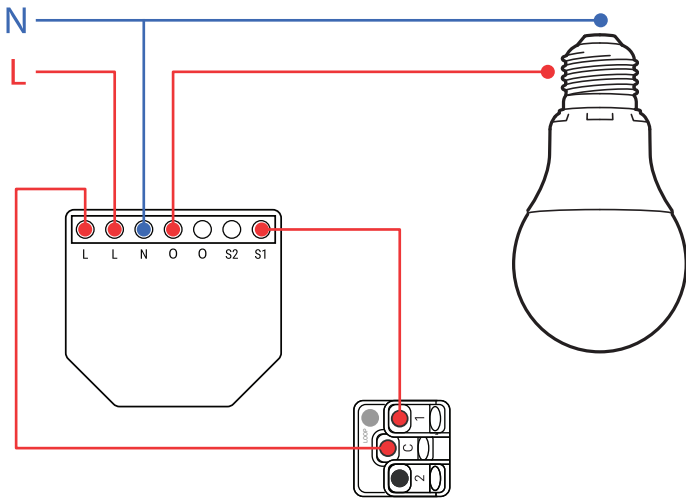


Latching 2-Way Switch - Without Neutral Wire

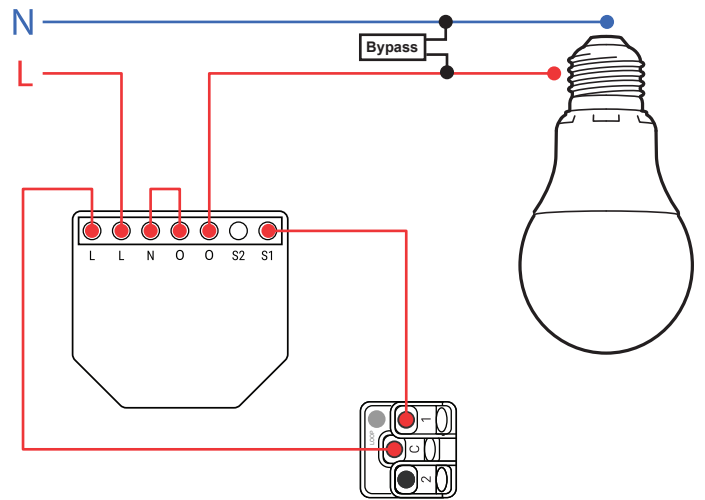


Shelly App > Device > Settings > Input/output settings > Switch > Edge

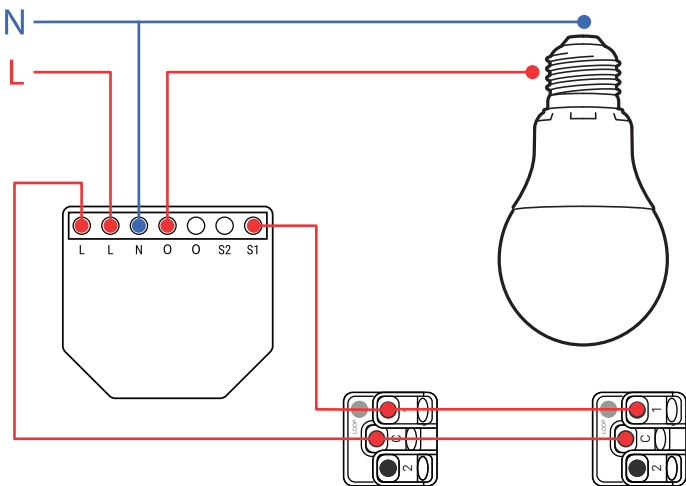
Momentary Switch - With Neutral Wire



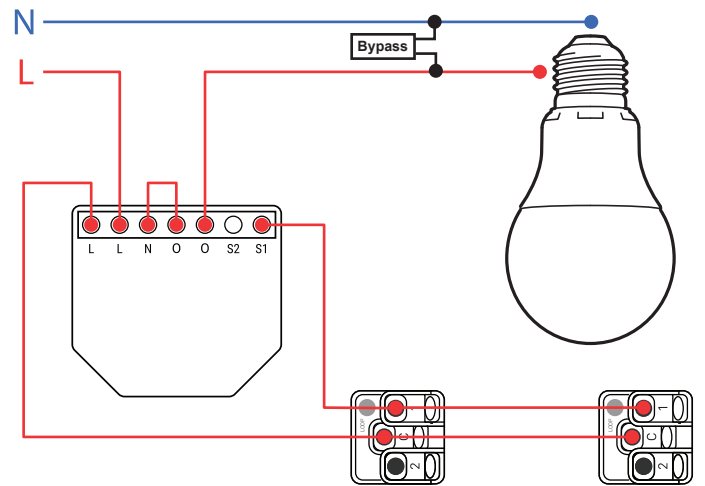
Momentary Switch - Without Neutral Wire



Momentary 2-Way Switch - With Neutral Wire

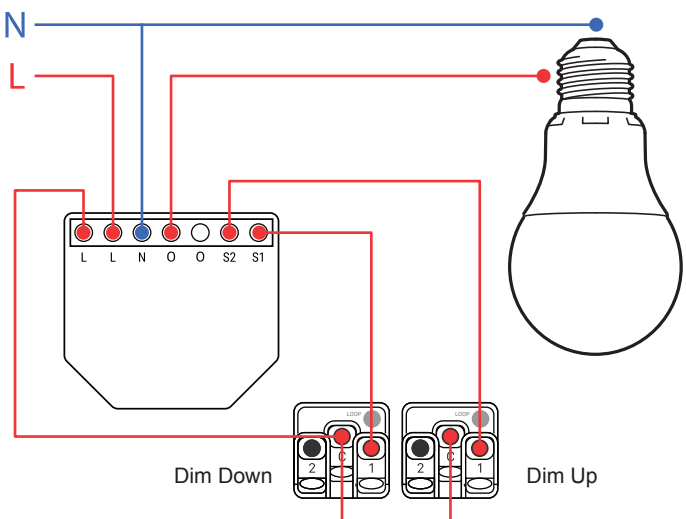


Momentary 2-Way Switch - Without Neutral Wire

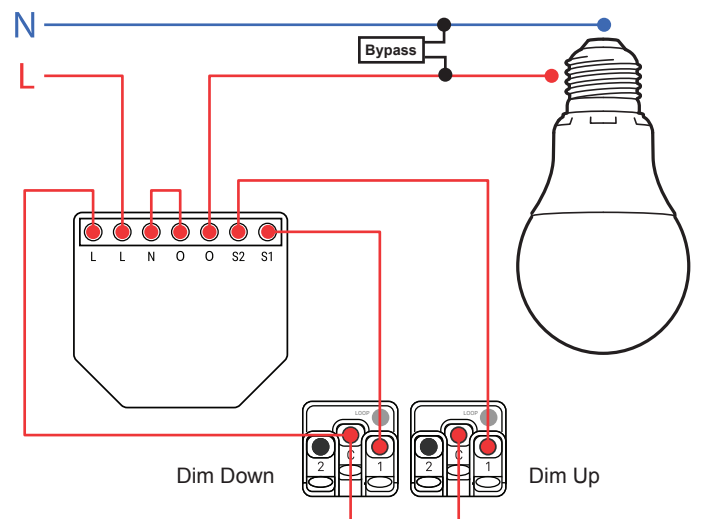


Shelly App > Device > Settings > Input/output settings > Button > One button dimming control

Momentary 2 Button Mode - With Neutral Wire



Momentary 2 Button Mode - Without Neutral Wire



Shelly App > Device > Settings > Input/output settings > Button > Dual button dim mode